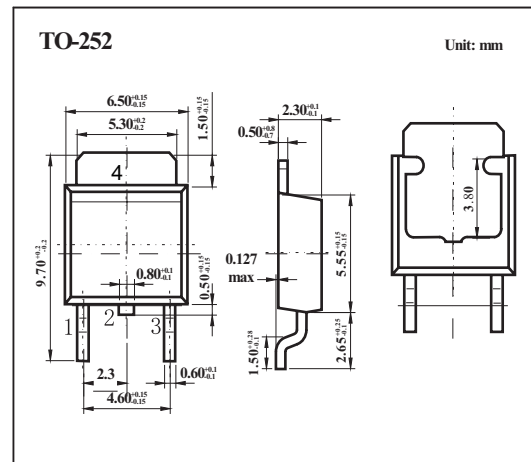
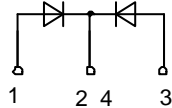


Schottky Diodes

5SC4

Features

- DC/DC converter
- Switching power supply
- High current capacity with Small Package



Absolute Maximum Ratings $T_a = 25$

Parameter	Symbol	Rating	Unit
Peak Repetitive Reverse Voltage	V_{RRM}	40	V
Working Peak Reverse Voltage	V_{RWM}		
DC Blocking Voltage	V_{RM}		
RMS Reverse Voltage	$V_{R(RMS)}$		
Average Rectified Output Current	I_o	3	A
Non-Repetitive Peak Forward Surge Current 8.3ms Single Half Sine-Wave Superimposed on Rated Load	I_{FSM}	80	A
Thermal Resistance Junction to Ambient	R_{JA}	57	/W
Junction Temperature	T_J	150	
Storage temperature range	T_{STG}	-40 to 150	

Electrical Characteristics $T_a = 25$

Parameter	Symbol	Test conditions	Min	Typ	Max	Unit
Reverse breakdown voltage	V_R	$I_R = 100\mu A$	40			V
Forward voltage	V_F	$I_F = 2.5A, T_J = 25$			0.58	
Reverse voltage leakage current	I_R	$V_R = 40V, T_J = 25$			3.6	mA
Junction Capacitance	C_j	$V_R = 10V, f = 1MHz$		160		pF