

JCS15N60H

主要参数 MAIN CHARACTERISTICS

| | |
|------------------------------------|--|
| I_D | 15 A |
| V_{DSS} | 600 V |
| $R_{dson-max}$ ($V_{gs}=10V$) | 0.52 Ω (MAX) 0.45 Ω (TYP) |
| Q_g | 35.7 nC |

用途

- 高频开关电源
- 电子镇流器
- UPS 电源

产品特性

- 低栅极电荷
- 低 C_{rSS} (典型值 10pF)
- 开关速度快
- 产品全部经过雪崩测试
- 高抗 dv/dt 能力
- RoHS 产品

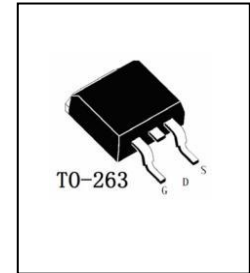
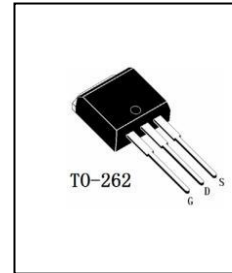
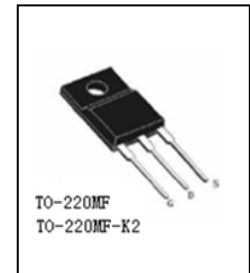
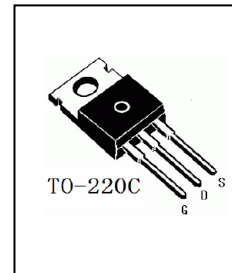
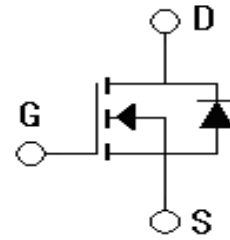
APPLICATIONS

- High efficiency switch mode power supplies
- Electronic lamp ballasts based on half bridge
- UPS

FEATURES

- Low gate charge
- Low C_{rSS} (typical 10pF)
- Fast switching
- 100% avalanche tested
- Improved dv/dt capability
- RoHS product

封装 Package



订货信息 ORDER MESSAGE

| 订货型号 Order codes | | | | 印记 Marking | 封装 Package |
|--------------------|------------------------|--------------------|------------------------|------------|-------------|
| 有卤-条管 Halogen-Tube | 无卤-条管 Non halogen-Tube | 有卤-编带 Halogen-Reel | 无卤-编带 Non halogen-Reel | | |
| JCS15N60CH-C-B | JCS15N60CH-C-BR | N/A | N/A | JCS15N60CH | TO-220C |
| JCS15N60FH-F-B | JCS15N60FH-F-BR | N/A | N/A | JCS15N60FH | TO-220MF |
| JCS15N60FH-F2-B | JCS15N60FH-F2-BR | N/A | N/A | JCS15N60FH | TO-220MF-K2 |
| JCS15N60BH-B-B | JCS15N60BH-B-BR | N/A | N/A | JCS15N60BH | TO-262 |
| JCS15N60SH-S-B | JCS15N60SH-S-BR | JCS15N60SH-S-A | JCS15N60SH-S-AR | JCS15N60SH | TO-263 |

绝对最大额定值 ABSOLUTE RATINGS (Tc=25°C)

| 项 目 Parameter | 符 号 Symbol | 数 值 Value | | | 单 位 Unit |
|--|--|--------------------------|-------------------------------|---------------------------------|-------------|
| | | JCS15N6 0CH/BH/S H | JCS15N60 FH(TO-22 0MF) | JCS15N60 FH(TO-220 MF-K2) | |
| 最高漏极-源极直流电压 Drain-Source Voltage | V _{DSS} | 600 | 600 | | V |
| 连续漏极电流 Drain Current -continuous | I _D T=25°C T=100°C | 15 | 15* | | A |
| | | 9.5 | 9.5* | | A |
| 最大脉冲漏极电流 (注1) Drain Current - pulse (note 1) | I _{DM} | 60 | 60* | | A |
| 最高栅源电压 Gate-Source Voltage | V _{GSS} | ±30 | | | V |
| 单脉冲雪崩能量 (注2) Single Pulsed Avalanche Energy (note 2) | E _{AS} | 245 | | | mJ |
| 雪崩电流 (注1) Avalanche Current (note 1) | I _{AR} | 15 | | | A |
| 重复雪崩能量 (注1) Repetitive Avalanche Current (note 1) | E _{AR} | 23.9 | | | mJ |
| 二极管反向恢复最大电压变化速率 (注3) Peak Diode Recovery dv/dt (note 3) | dv/dt | 9.8 | | | V/ns |
| 耗散功率 Power Dissipation | P _D T _C =25°C -Derate above 25°C | 245 | 53 | 43.3 | W |
| | | 2.0 | 0.42 | 0.35 | W/°C |
| 最高结温及存储温度 Operating and Storage Temperature Range | T _J , T _{STG} | -55~+150 | | | °C |
| 引线最高焊接温度 Maximum Lead Temperature for Soldering Purposes | T _L | 300 | | | °C |

*漏极电流由最高结温限制

*Drain current limited by maximum junction temperature



电特性 ELECTRICAL CHARACTERISTICS

| 项 目 Parameter | 符 号 Symbol | 测试条件 Tests conditions | 最小 Min | 典型 Typ | 最大 Max | 单 位 Units |
|---|------------------------------|---|-----------|-----------|-----------|--------------|
| 关态特性 Off –Characteristics | | | | | | |
| 漏—源击穿电压 Drain-Source Voltage | BV_{DSS} | $I_D=250\mu A, V_{GS}=0V$ | 600 | - | - | V |
| 击穿电压温度特性 Breakdown Voltage Temperature Coefficient | $\Delta BV_{DSS}/\Delta T_J$ | $I_D=250\mu A$, referenced to $25^\circ C$ | - | 0.79 | - | V/°C |
| 零栅压下漏极漏电流 Zero Gate Voltage Drain Current | I_{DSS} | $V_{DS}=600V, V_{GS}=0V,$ $T_C=25^\circ C$ | - | - | 10 | μA |
| | | $V_{DS}=480V, T_C=125^\circ C$ | - | - | 100 | μA |
| 正向栅极体漏电流 Gate-body leakage current, forward | I_{GSSF} | $V_{DS}=0V, V_{GS}=30V$ | - | - | 100 | nA |
| 反向栅极体漏电流 Gate-body leakage current, reverse | I_{GSSR} | $V_{DS}=0V, V_{GS}=-30V$ | - | - | -100 | nA |
| 通态特性 On-Characteristics | | | | | | |
| 阈值电压 Gate Threshold Voltage | $V_{GS(th)}$ | $V_{DS} = V_{GS}, I_D=250\mu A$ | 3.0 | - | 5.0 | V |
| 静态导通电阻 Static Drain-Source On-Resistance | $R_{DS(ON)}$ | $V_{GS} = 10V, I_D=7.5A$ $25^\circ C$ | 0.2 | 0.45 | 0.52 | Ω |
| | | $V_{GS} = 10V, I_D=7.5A$ $100^\circ C$ | 0.3 | 0.79 | 1.10 | Ω |
| | | $V_{GS} = 10V, I_D=7.5A$ $150^\circ C$ | 0.5 | 1.17 | 1.70 | Ω |
| 正向跨导 Forward Transconductance | g_{fs} | $V_{DS} = 40V, I_D=7.5A$ (note 4) | - | 12.3 | - | S |
| 动态特性 Dynamic Characteristics | | | | | | |
| 栅极电阻 Gate resistance | R_g | F=1.0MHz open drain | 0.3 | - | 3.2 | Ω |
| 输入电容 Input capacitance | C_{iss} | $V_{DS}=25V,$ $V_{GS}=0V,$ $f=1.0MHz$ | 1000 | 1929 | 2920 | pF |
| 输出电容 Output capacitance | C_{oss} | | 125 | 200 | 650 | pF |
| 反向传输电容 Reverse transfer capacitance | C_{rss} | | 2.5 | 10 | 30 | pF |



电特性 ELECTRICAL CHARACTERISTICS

| 开关特性 Switching Characteristics | | | | | | |
|---|-------------------|---|-----|------|------|---------|
| 延迟时间 Turn-On delay time | $t_d(\text{on})$ | $V_{DD}=250V, I_D=15A, R_G=25\Omega$ (note 4, 5) | 34 | 90 | 158 | ns |
| 上升时间 Turn-On rise time | t_r | | 34 | 87.2 | 150 | ns |
| 延迟时间 Turn-Off delay time | $t_d(\text{off})$ | | 70 | 190 | 345 | ns |
| 下降时间 Turn-Off Fall time | t_f | | 20 | 40.6 | 100 | ns |
| MOSFET 最大电压变化速率 MOSFET dv/dt ruggedness | dv/dt | $V_{DS}=0 \text{ to } 400V, I_D=7.5A$ | - | 25 | - | V/ ns |
| 栅极电荷总量 Total Gate Charge | Q_g | $V_{DS}=480V, I_D=15A$ $V_{GS}=10V$ (note 4, 5) | 10 | 35.7 | 60.0 | nC |
| 栅-源电荷 Gate-Source charge | Q_{gs} | | 4 | 12.4 | 28.0 | nC |
| 栅-漏电荷 Gate-Drain charge | Q_{gd} | | 3 | 12.8 | 20.0 | nC |
| 漏-源二极管特性及最大额定值 Drain-Source Diode Characteristics and Maximum Ratings | | | | | | |
| 正向最大连续电流 Maximum Continuous Drain-Source Diode Forward Current | | I_S | - | - | 15 | A |
| 正向最大脉冲电流 Maximum Pulsed Drain-Source Diode Forward Current | | I_{SM} | - | - | 60 | A |
| 正向压降 Drain-Source Diode Forward Voltage | V_{SD} | $V_{GS}=0V, I_S=15A$ | - | - | 1.4 | V |
| 反向恢复时间 Reverse recovery time | t_{rr} | $V_{GS}=0V, I_S=15A$ $di/dt=100A/\mu s$ (note 4) | 250 | 480 | 1000 | ns |
| 反向恢复电荷 Reverse recovery charge | Q_{rr} | | 2.5 | 9 | 16.0 | μC |

热特性 THERMAL CHARACTERISTIC

| 项 目 Parameter | 符 号 Symbol | 最大 Max | | | 单 位 Unit |
|--|---------------|----------------------|------------------------|---------------------------|---------------|
| | | JCS15N60CH/ BH/SH | JCS15N60FH TO-220MF | JCS15N60FH TO-220MF-K2 | |
| 结到管壳的热阻 Thermal Resistance, Junction to Case | $R_{th(j-c)}$ | 0.51 | 2.36 | 2.89 | $^{\circ}C/W$ |
| 结到环境的热阻 Thermal Resistance, Junction to Ambient | $R_{th(j-A)}$ | 62.5 | 62.5 | 67.1 | $^{\circ}C/W$ |

注释:

- 1: 脉冲宽度由最高结温限制
- 2: $L=2.0mH, I_{AS}=15A, V_{DD}=50V, R_G=25\Omega$, 起始结温 $T_J=25^{\circ}C$
- 3: $I_{SD} \leq 15A, di/dt \leq 200A/\mu s, V_{DD} \leq BV_{DSS}$, 起始结温 $T_J=25^{\circ}C$
- 4: 脉冲测试: 脉冲宽度 $\leq 300\mu s$, 占空比 $\leq 2\%$
- 5: 基本与工作温度无关

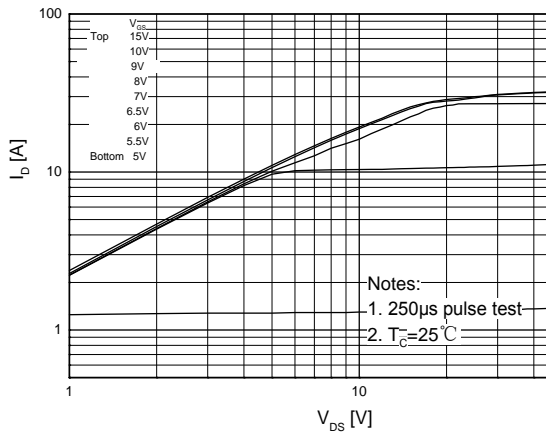
版本: 201811I

Notes:

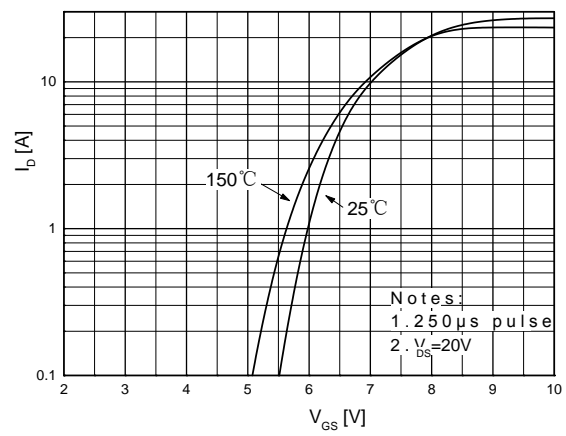
- 1: Pulse width limited by maximum junction temperature
- 2: $L=2.0mH, I_{AS}=15A, V_{DD}=50V, R_G=25\Omega$, Starting $T_J=25^{\circ}C$
- 3: $I_{SD} \leq 15A, di/dt \leq 200A/\mu s, V_{DD} \leq BV_{DSS}$, Starting $T_J=25^{\circ}C$
- 4: Pulse Test: Pulse Width $\leq 300\mu s$, Duty Cycle $\leq 2\%$
- 5: Essentially independent of operating temperature

特征曲线 ELECTRICAL CHARACTERISTICS (curves)

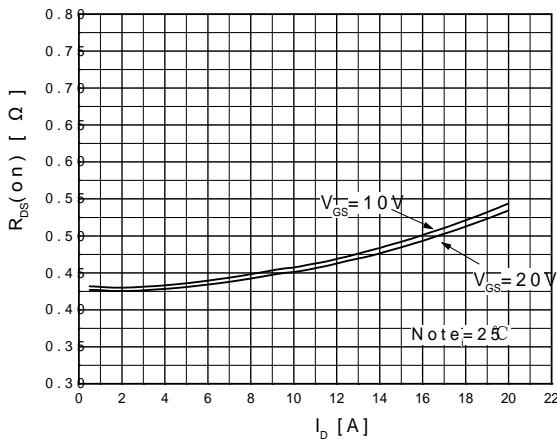
On-Region Characteristics



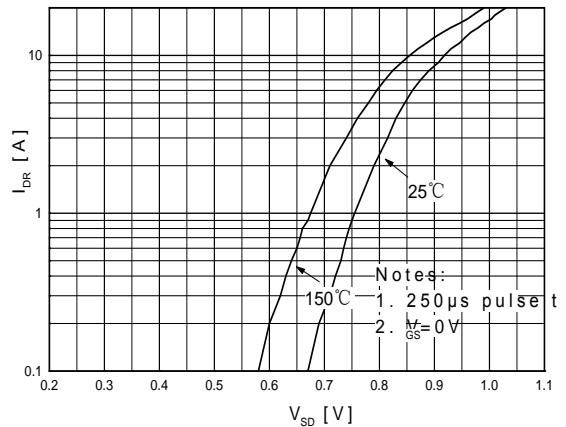
Transfer Characteristics



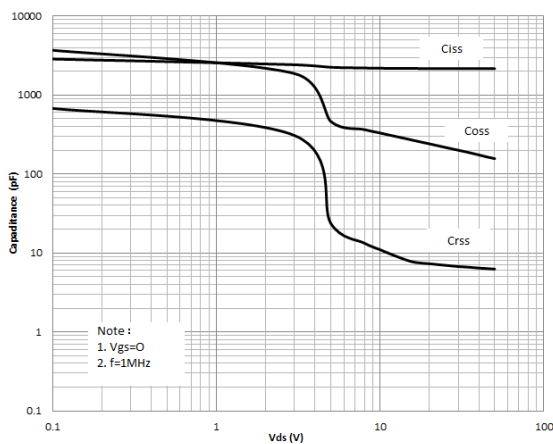
On-Resistance Variation vs. Drain Current and Gate Voltage



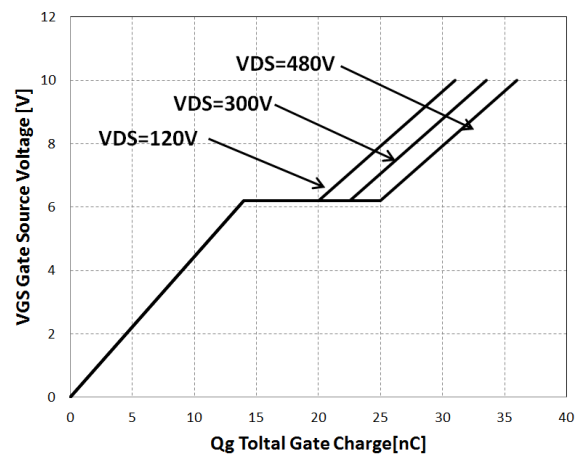
Body Diode Forward Voltage Variation vs. Source Current and Temperature



Capacitance Characteristics

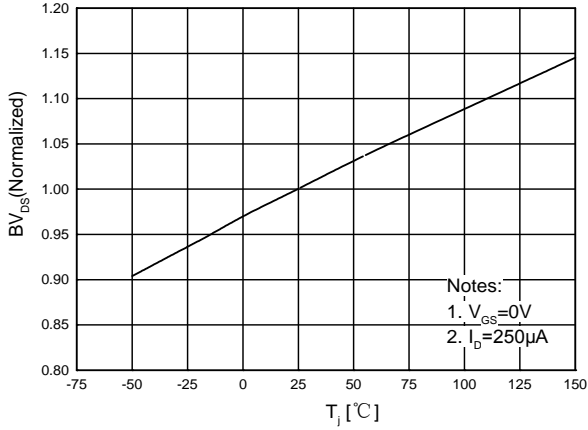


Gate Charge Characteristics

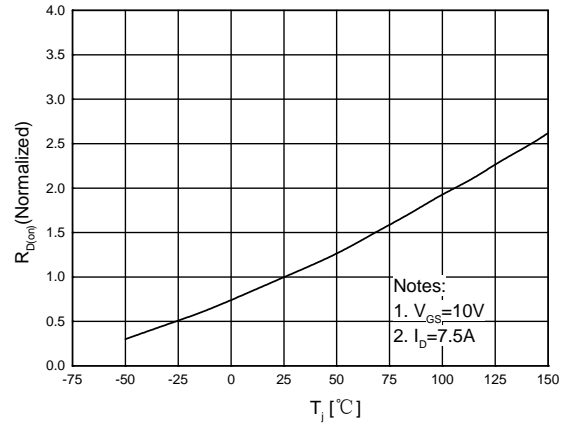


特征曲线 ELECTRICAL CHARACTERISTICS (curves)

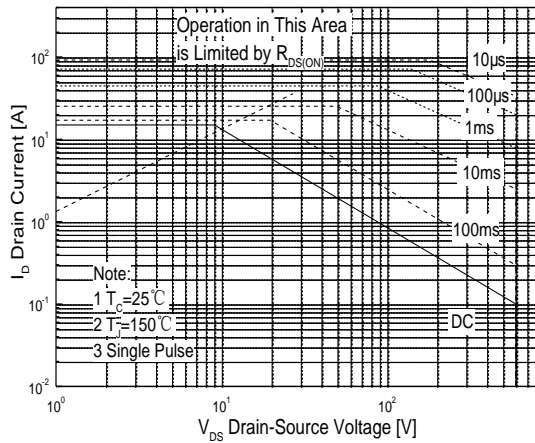
Breakdown Voltage Variation vs. Temperature



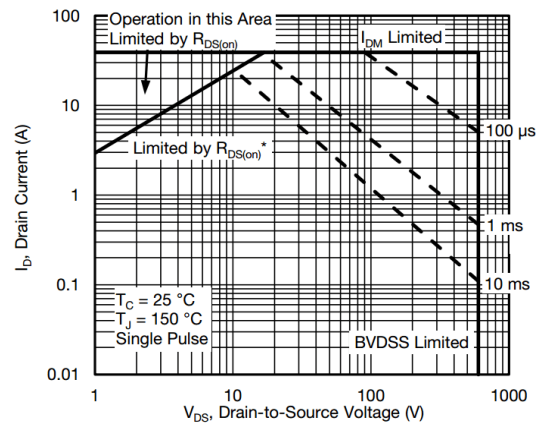
On-Resistance Variation vs. Temperature



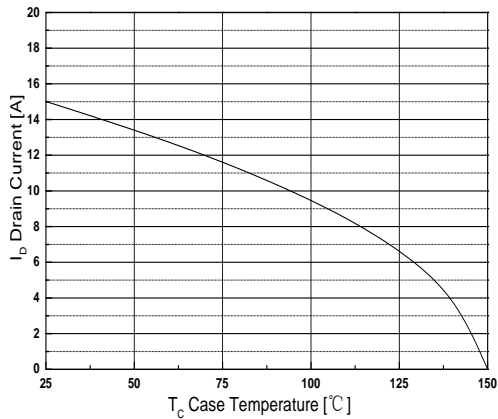
Maximum Safe Operating Area For JCS15N60FH(TO-220MF/K2)



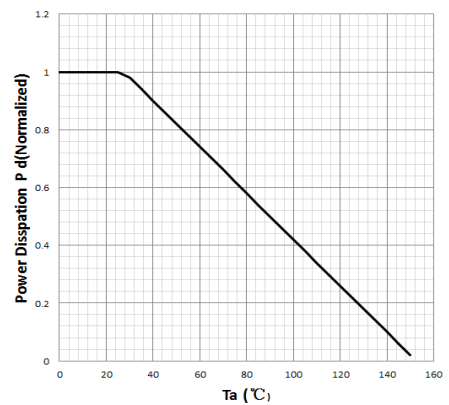
Maximum Safe Operating Area For JCS15N60CH/BH/SH



Maximum Drain Current vs. Case Temperature

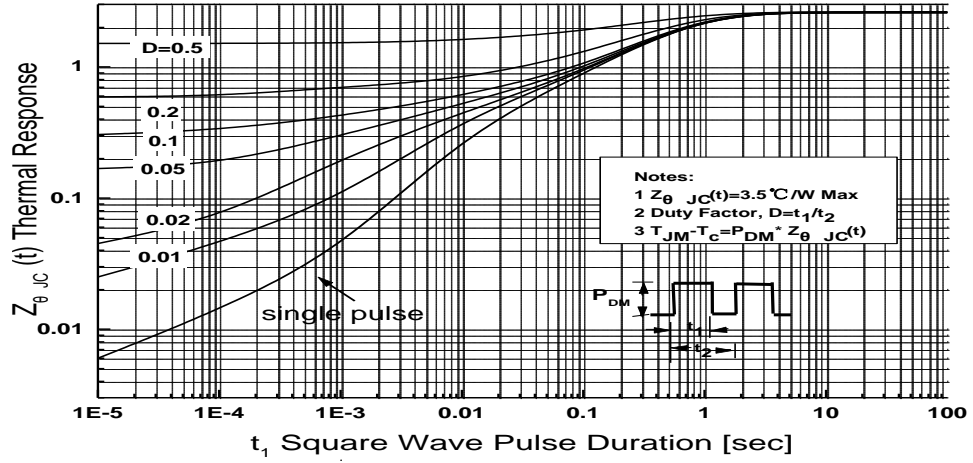


Power Dissipation vs. Temperature

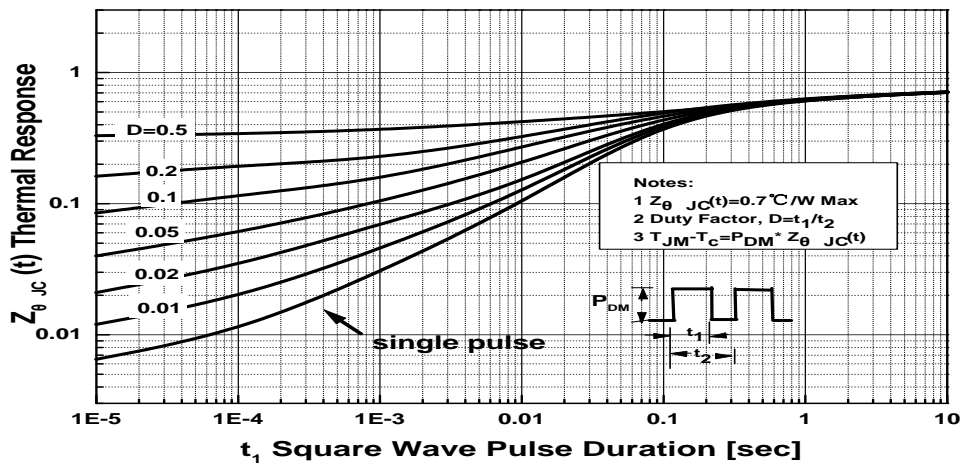


特征曲线 ELECTRICAL CHARACTERISTICS (curves)

**Transient Thermal Response Curve
For JCS15N60FH(TO-220MF/K2)**



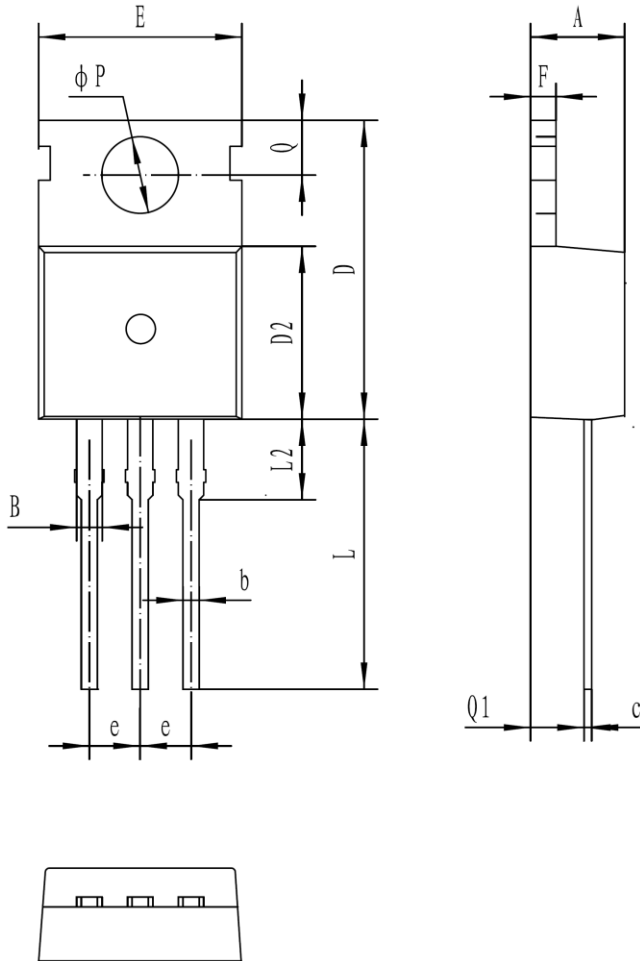
**Transient Thermal Response Curve
For JCS15N60CH/BH/SH**



外形尺寸 PACKAGE MECHANICAL DATA

TO-220C

单位 Unit: mm

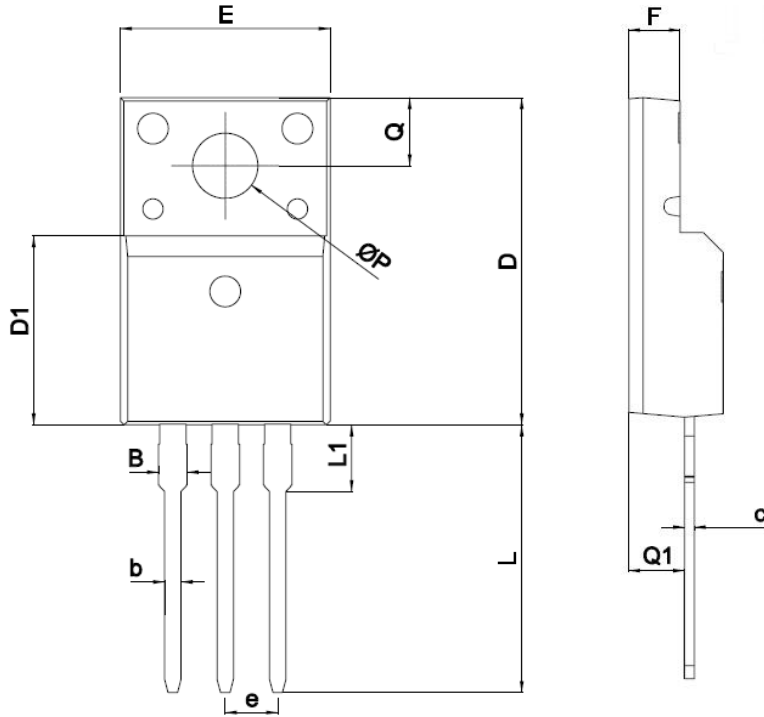


| 符号 symbol | MIN | MAX |
|--------------|-------|-------|
| A | 4.30 | 4.70 |
| B | 1.10 | 1.40 |
| b | 0.70 | 0.95 |
| c | 0.40 | 0.65 |
| D | 15.20 | 16.20 |
| D2 | 9.00 | 9.40 |
| E | 9.70 | 10.10 |
| e | 2.39 | 2.69 |
| F | 1.25 | 1.40 |
| L | 12.60 | 13.60 |
| L2 | 2.80 | 3.20 |
| Q | 2.60 | 3.00 |
| Q1 | 2.20 | 2.60 |
| P | 3.50 | 3.80 |

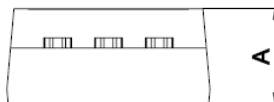
外形尺寸 PACKAGE MECHANICAL DATA

TO-220MF

单位 Unit: mm



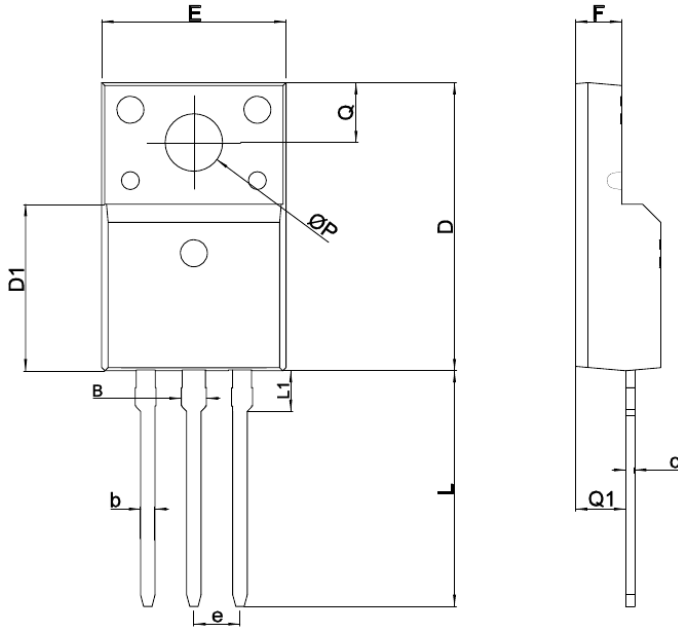
| SYMBOL | mm | |
|--------|----------|-------|
| | MIN | MAX |
| A | 4.5 | 4.9 |
| B | | 1.47 |
| b | 0.7 | 0.9 |
| c | 0.45 | 0.60 |
| D | 15.67 | 16.07 |
| D1 | 9.04 | 9.20 |
| e | 2.54TYPE | |
| E | 9.96 | 10.36 |
| F | 2.34 | 2.74 |
| L | 12.58 | 13.38 |
| L1 | 3.13 | 3.33 |
| Q | 3.2 | 3.4 |
| Q1 | 2.56 | 2.96 |
| ΦP | 3.08 | 3.28 |



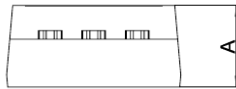
外形尺寸 PACKAGE MECHANICAL DATA

TO-220MF-K2

单位 Unit: mm



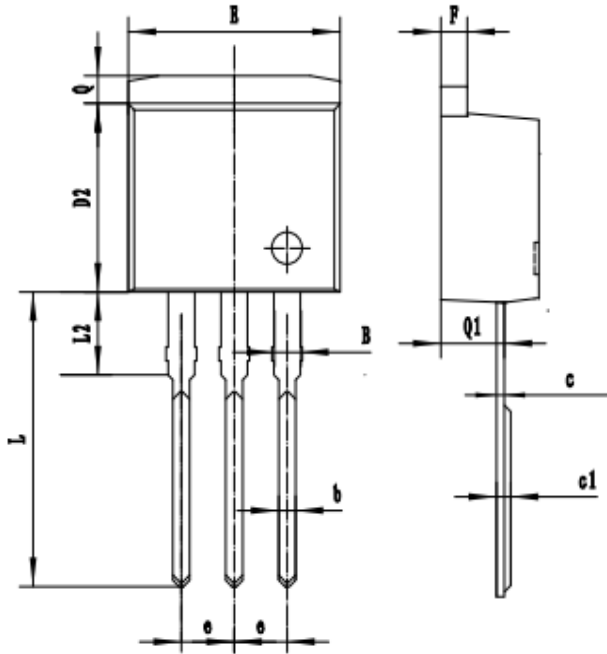
| SYMBOL | mm | |
|--------|----------|-------|
| | MIN | MAX |
| A | 4.5 | 4.9 |
| B | | 1.27 |
| b | 0.59 | 0.79 |
| c | 0.45 | 0.60 |
| D | 15.67 | 16.07 |
| D1 | 8.97 | 9.37 |
| e | 2.54TYPE | |
| E | 9.96 | 10.36 |
| F | 2.34 | 2.74 |
| L | 12.65 | 13.35 |
| L1 | 1.80 | 2.20 |
| Q | 3.2 | 3.4 |
| Q1 | 2.56 | 2.96 |
| ΦP | 3.08 | 3.28 |



外形尺寸 PACKAGE MECHANICAL DATA

TO-262

单位 Unit: mm



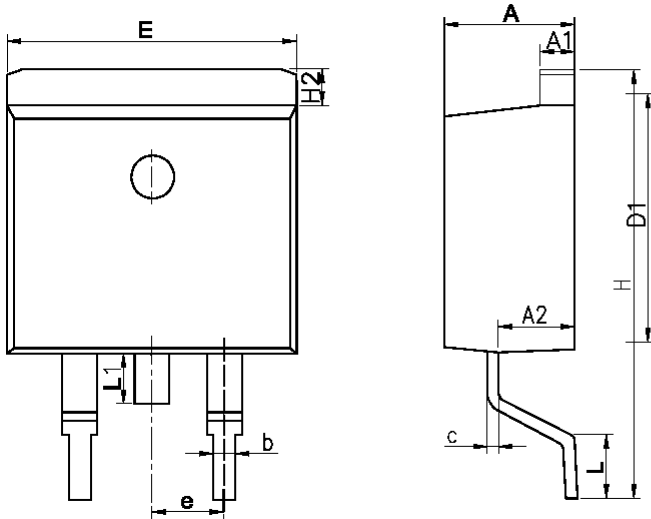
| 符号 symbol | MIN | MAX |
|--------------|-------|-------|
| A | 4.40 | 4.90 |
| B | 1.10 | 1.40 |
| b | 0.70 | 0.95 |
| c | 0.30 | 0.60 |
| c1 | 0.33 | 0.63 |
| D2 | 8.20 | 9.20 |
| E | 9.60 | 10.50 |
| e | 2.39 | 2.69 |
| F | 1.20 | 1.35 |
| L | 13.11 | 14.61 |
| L2 | 3.55 | 4.05 |
| Q | 1.10 | 1.40 |
| Q1 | 2.65 | 2.85 |



外形尺寸 PACKAGE MECHANICAL DATA

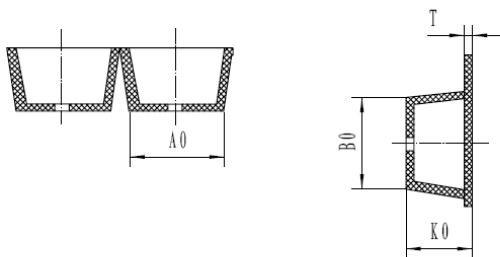
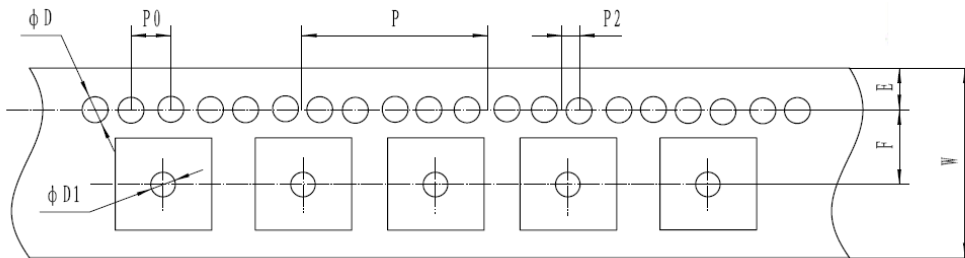
TO-263

单位 Unit: mm



| SYMBOL | MM | |
|--------|---------|-------|
| | MIN | MAX |
| A | 4.30 | 4.80 |
| A1 | 1.12 | 1.42 |
| A2 | 2.54 | 2.84 |
| b | 0.67 | 1.00 |
| c | 0.29 | 0.52 |
| D1 | 8.40 | 9.00 |
| E | 9.80 | 10.46 |
| e | 2.54BSC | |
| H | 14.00 | 16.00 |
| H2 | 1.12 | 1.45 |
| L | 1.50 | 3.10 |
| L1 | 1.45 | 1.70 |

编带 REEL



| 产品尺寸规格 (UNIT: mm) | | | | | |
|-------------------|--------------|------------|------------|------------|--------------|
| 规格 | w | A0 | E | F | D |
| 尺寸 | 24 ± 0.3 | 10.9 ± 0.1 | 1.75 ± 0.1 | 11.5 ± 0.1 | 1.5 ± 0.1/-0 |
| 规格 | D1 | P0 | P2 | P | T |
| 尺寸 | 1.5 ± 0.1/-0 | 4 ± 0.1 | 2 ± 0.1 | 16 ± 0.1 | 0.35 ± 0.05 |
| 规格 | K0 | B0 | | | |
| 尺寸 | 4.9 ± 0.1 | 16.0 ± 0.1 | | | |